



# FUZE PROFILE CW™

user manual

©2021 ELATION PROFESSIONAL all rights reserved. Information, specifications, diagrams, images, and instructions herein are subject to change without notice. ELATION PROFESSIONAL logo and identifying product names and numbers herein are trademarks of ELATION PROFESSIONAL. Copyright protection claimed includes all forms and matters of copyrightable materials and information now allowed by statutory or judicial law or hereinafter granted. Product names used in this document may be trademarks or registered trademarks of their respective companies and are hereby acknowledged. All non-ELATION brands and product names are trademarks or registered trademarks of their respective companies.

**ELATION PROFESSIONAL** and all affiliated companies hereby disclaim any and all liabilities for property, equipment, building, and electrical damages, injuries to any persons, and direct or indirect economic loss associated with the use or reliance of any information contained within this document, and/or as a result of the improper, unsafe, insufficient and negligent assembly, installation, rigging, and operation of this product.

**Elation Professional USA** | 6122 S. Eastern Ave. | Los Angeles, CA. 90040  
323-582-3322 | 323-832-9142 fax | [www.elationlighting.com](http://www.elationlighting.com) | [info@elationlighting.com](mailto:info@elationlighting.com)

**Elation Professional B.V.** | Junostraat 2 | 6468 EW Kerkrade, The Netherlands  
+31 45 546 85 66 | +31 45 546 85 96 fax | [www.elationlighting.eu](http://www.elationlighting.eu) | [info@elationlighting.eu](mailto:info@elationlighting.eu)

**Elation Professional Mexico** | AV Santa Ana 30 | Parque Industrial Lerma, Lerma, Mexico 52000  
+52 (728) 282-7070

## DOCUMENT VERSION



**Due to additional product features and/or enhancements, an updated version of this document may be available online. Please scan the QR Code with your mobile device or visit [www.elationlighting.com](http://www.elationlighting.com) for the latest revision/update of this manual, before installation and/or programming.**

Date	Document Version	Software Version ≥	DMX Channel Modes	Notes
08/05/19	1.0	1.0.3	40 / 67	Initial release.
08/15/19	1.1	N/C	NO CHANGE	Updated GOBO specs.
06/18/20	1.2	NC	NO CHANGE	Updated Installation Instructions.
10/13/20	1.3	1.07	NO CHANGE	Updated specification and primary/secondary modes
03/09/21	1.4	1.08	NO CHANGE	Updated DMX Channel Functions and System Menu

# CONTENTS

General Information	4
Warranty Returns (USA Only)	5
Safety Guidelines	6
Maintenance Guidelines	8
Fixture Overview	9
Colors and Gobos	10
Custom Gobos	11
Gobo Replacement	12
Snoot Installation	16
Installation Guidelines	17
System Menu	20
DMX Channel Functions and Values	23
Error Codes	30
Specifications	31
Optional Accessories	34
FCC Statement	35

# GENERAL INFORMATION

## INTRODUCTION

Please read and understand the instructions in this manual carefully and thoroughly before attempting to operate this device. These instructions contain important safety and use information.

## UNPACKING

Every device has been thoroughly tested and has been shipped in perfect operating condition. Carefully check the shipping carton for damage that may have occurred during shipping. If the carton is damaged, carefully inspect the device for damage, and be sure all accessories necessary to install and operate the device have arrived intact. In the event damage has been found or parts are missing, please contact our customer support team for further instructions. Please do not return this device to your dealer without first contacting customer support. Please do not discard the shipping carton in the trash. Please recycle whenever possible.

## BOX CONTENTS

Snoot  
Omega Brackets (x2)  
Locking IP65 Power Cable

## CUSTOMER SUPPORT

Contact **ELATION Service** for any product related service and support needs. Also visit [forums.elationlighting.com](https://forums.elationlighting.com) with questions, comments or suggestions.

**ELATION SERVICE USA - Monday - Friday 8:00am to 4:30pm PST**  
323-582-3322 | Fax 323-832-9142 | [support@elationlighting.com](mailto:support@elationlighting.com)

**ELATION SERVICE EUROPE - Monday - Friday 08:30 to 17:00 CET**  
+31 45 546 85 63 | Fax +31 45 546 85 96 | [support@elationlighting.eu](mailto:support@elationlighting.eu)

**REPLACEMENT PARTS** please visit [parts.elationlighting.com](https://parts.elationlighting.com)



## IMPORTANT NOTICE!

**THERE ARE NO USER SERVICEABLE PARTS INSIDE THIS UNIT. DO NOT ATTEMPT ANY REPAIRS YOURSELF; DOING SO WILL VOID YOUR MANUFACTURES WARRANTY. DAMAGES RESULTING FROM MODIFICATIONS TO THIS FIXTURE AND/OR THE DISREGARD OF SAFETY INSTRUCTIONS AND GUIDELINES IN THIS MANUAL VOID THE MANUFACTURES WARRANTY AND ARE NOT SUBJECT TO ANY WARRANTY CLAIMS AND/OR REPAIRS.**

## **WARRANTY RETURNS (USA ONLY)**

To obtain warranty service, a Return Materials Authorization (RMA) number must first be obtained from ELATION. It is the Customer's responsibility to provide product proof of purchase and serial number by acceptable evidence (i.e. invoice copy and/or Extended Warranty Certificate), and any applicable maintenance records at the time warranty service is sought. Failure to provide acceptable evidence of product proof of purchase, serial number, and applicable maintenance records may be cause for denial of warranty service.

Products returned for warranty service must be sent without any accessories (i.e. power, data, and safety cables, brackets, clamps, rigging hardware, frost filters, gel frames, barn doors, lens, hoses, nozzles, rack mounting hardware, etc.), must be boxed using the original and/or suitable packaging materials (double-box and foam) that provide ample product protection for ground and/or air freight transit, and must be shipped freight pre-paid and insured to ELATION in Los Angeles, CA or to an ELATION Authorized Service Center. The RMA number must be clearly written on the outside of the return box and a brief description of the problem and the RMA number must be documented and included in the box.

Products returned for warranty service without an RMA number clearly marked on the outside of the package will be refused and returned to the shipper at the customer's expense. Products returned for warranty service, which are received damaged due to poor and improper packaging and/or due to damage caused by shipping carrier, may incur additional repair charges before warranty service begins and/or may void this warranty. If any product accessories (included and/or optional) are shipped with the product, ELATION and/or the ELATION Authorized Service Center shall have no liability what so ever for the loss and/or damage to any such accessories, nor for the safe return thereof. If the requested warranty repairs or service (including parts replacement) are within the terms of this warranty, ELATION will pay return shipping charges to a single designated point within the United States.

# SAFETY GUIDELINES

This fixture is a sophisticated piece of electronic equipment. To guarantee a smooth operation, it is important to follow all instructions and guidelines in this manual. Elation Professional is not responsible for injury and/or damages resulting from the misuse of this fixture due to the disregard of the information printed in this manual. Only qualified and/or certified personnel should perform installation of this fixture and only the original rigging parts (omega brackets) included with this fixture should be used for installation. Any modifications to the fixture and/or the included mounting hardware will void the original manufactures warranty and increase the risk of damage and/or personal injury.



**PROTECTION CLASS 1 - FIXTURE MUST BE PROPERLY GROUNDED**



**THERE ARE NO USER SERVICEABLE PARTS INSIDE THIS UNIT. DO NOT ATTEMPT ANY REPAIRS YOURSELF; DOING SO WILL VOID YOUR MANUFACTURES WARRANTY. DAMAGES RESULTING FROM MODIFICATIONS TO THIS FIXTURE AND/OR THE DISREGARD OF SAFETY INSTRUCTIONS AND GUIDELINES IN THIS MANUAL VOID THE MANUFACTURES WARRANTY AND ARE NOT SUBJECT TO ANY WARRANTY CLAIMS AND/OR REPAIRS.**



**DO NOT PLUG FIXTURE INTO A DIMMER PACK!  
NEVER OPEN THIS FIXTURE WHILE IN USE!  
UNPLUG POWER BEFORE SERVICING FIXTURE!  
NEVER TOUCH FIXTURE DURING OPERATION, AS IT MAY BE HOT!  
KEEP FLAMMABLE MATERIALS AWAY FROM FIXTURE!**



**NEVER LOOK DIRECTLY INTO THE LIGHT SOURCE!  
RETINA INJURY RISK - MAY INDUCE BLINDNESS!  
SENSITIVE PERSONS MAY SUFFER AN EPILEPTIC SHOCK!**



**INDOOR / DRY LOCATIONS USE ONLY!  
DO NOT EXPOSE FIXTURE TO RAIN AND MOISTURE!**



**MINIMUM DISTANCE TO OBJECTS/SURFACES  
MUST BE 1.6 FOOT (0.5 METER)  
MINIMUM DISTANCE OF INFLAMMABLE MATERIALS  
FROM THE SURFACE 1.6 FEET (0.5 METER)  
MAXIMUM AMBIENT OPERATING TEMPERATURE 113°F (45°C)**

## **S A F E T Y   G U I D E L I N E S**

**DO NOT TOUCH** the fixture housing during operation. Turn OFF the power and allow approximately 15 minutes for the fixture to cool down before serving.

**DO NOT** shake fixture, avoid brute force when installing and/or operating fixture.

**DO NOT** operate fixture if the power cord is frayed, crimped, damaged and/or if any of the power cord connectors are damaged and do not insert into the fixture securely with ease.

**NEVER** force a power cord connector into the fixture. If the power cord or any of its connectors are damaged, replace it immediately with a new one of similar power rating.

**DO NOT** block any air ventilation slots.

All fan and air inlets must remain clean and never blocked.

Allow approx. 6" (15cm) between fixture and other devices or a wall for proper cooling.

Always disconnect fixture from main power source before performing any type of service and/or cleaning procedure. Only handle the power cord by the plug end, never pull out the plug by tugging the wire portion of the cord.

During the initial operation of this fixture, a light smoke or smell may emit from the interior of the fixture. This is a normal process and is caused by excess paint in the interior of the casing burning off from the heat associated with the lamp and will decrease gradually over time.

Consistent operational breaks will ensure fixture will function properly for many years.

**ONLY** use the original packaging and materials to transport the fixture in for service.

# MAINTENANCE GUIDELINES



**DISCONNECT POWER BEFORE PERFORMING ANY MAINTENANCE!**

## CLEANING

Frequent cleaning is recommended to insure proper function, optimized light output, and an extended life. The frequency of cleaning depends on the environment in which the fixture operates: damp, smoky or particularly dirty environments can cause greater accumulation of dirt on the fixture's optics. Clean the external lens surface at least every 20 days with a soft cloth to avoid dirt/debris accumulation.

**NEVER** use alcohol, solvents, or ammonia-based cleaners.

## MAINTENANCE

Regular inspections are recommended to insure proper function and extended life. There are no user serviceable parts inside this fixture, please refer all other service issues to an authorized Elation service technician. Should you need any spare parts, please order genuine parts from an authorized Elation dealer.

Please refer to the following points during routine inspections:

A detailed electric check by an approved electrical engineer every three months, to make sure the circuit contacts are in good condition and prevent overheating.

Be sure all screws and fasteners are securely tightened at all times. Loose screws may fall out during normal operation resulting in damage or injury as larger parts could fall.

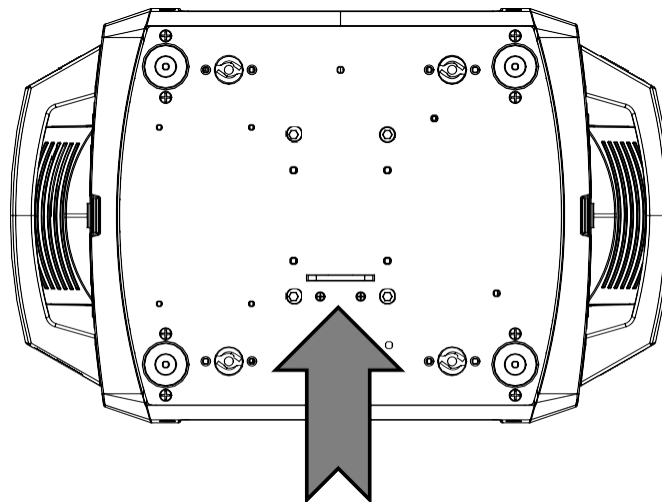
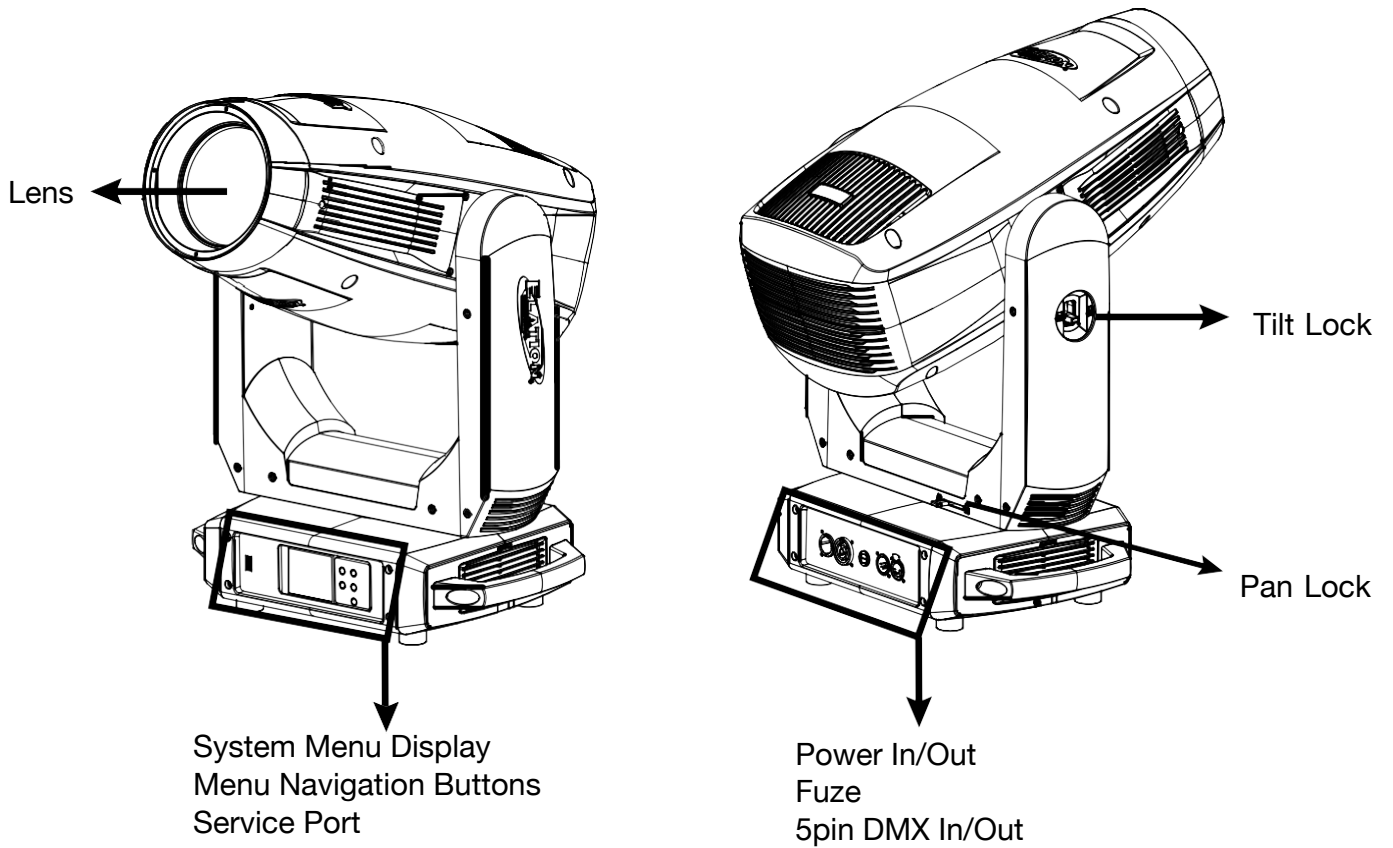
Check for any deformations on the housing, color lenses, rigging hardware and rigging points (ceiling, suspension, trussing). Deformations in the housing could allow for dust to enter into the fixture. Damaged rigging points or unsecured rigging could cause the fixture to fall and seriously injure a person(s).

Electric power supply cables must not show any damage, material fatigue or sediments.

**NEVER** remove the ground prong from the power cable.



# FIXTURE OVERVIEW



**SAFETY CABLE  
ATTACHMENT POINT**



**ALWAYS ATTACH A SAFETY CABLE WHENEVER INSTALLING  
THIS DEVICE IN A SUSPENDED ENVIRONMENT TO ENSURE  
THE FIXTURE WILL NOT DROP IF THE CLAMP FAILS.**

# COLORS AND GOBOS

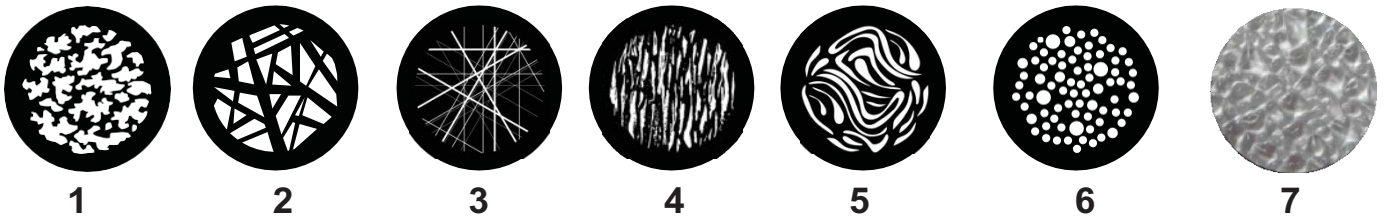
## Color Wheel 1

Slot	Color Name
1	Red
2	Medium Green
3	Light Blue
4	Lavender
5	Amber
6	Light Pink
7	Warm Yellow

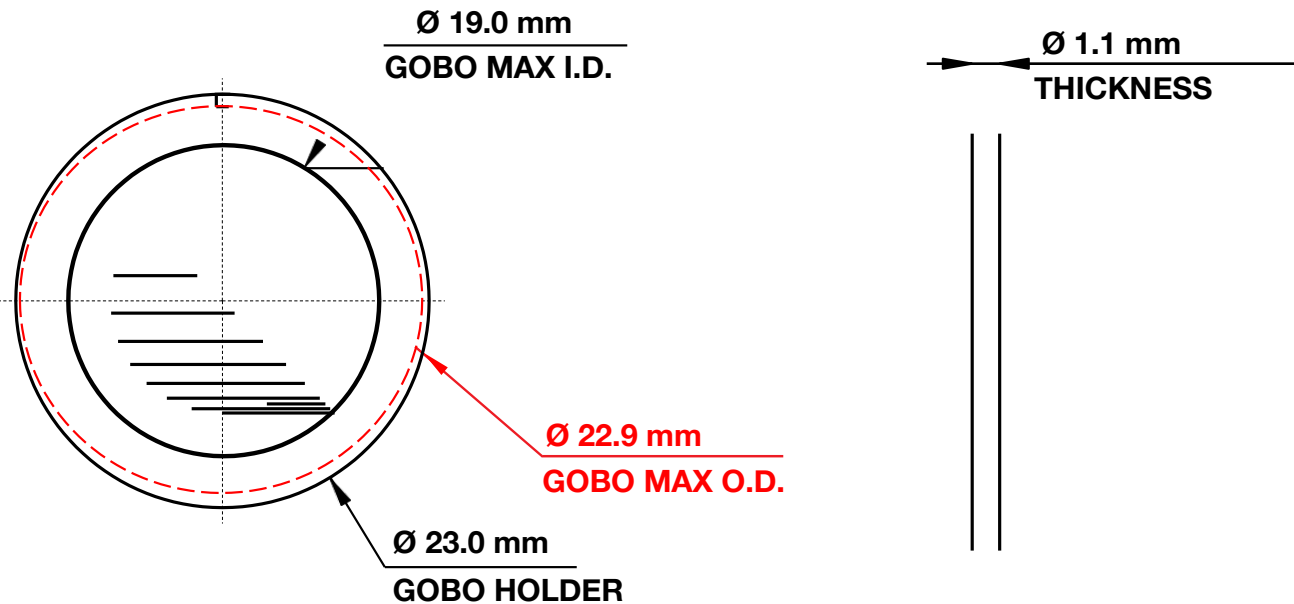
## Color Wheel 2

Slot	Color Name
1	2700K
2	3200K
3	4500K
4	5500K
5	6800K
6	8000K
7	UV

## INTERCHANGEABLE-ROTATING GLASS GOBOS



# CUSTOM GOBOS



FUZE PROFILE CW ROTATING GLASS GOBOS - WHEEL 1	
Gobo O.D. (Max. Outer Diameter)	φ22.9mm
Gobo I.D. (Max. Image Diameter)	Φ19.0mm
Gobo Holder Diameter	Φ23.0mm
Gobo Thickness	1.1mm
Gobo Material	High Temp Glass (Minimum 600C°)

## \*\*\* IMPORTANT NOTICE REGARDING CUSTOM GOBOS \*\*\*

Due to the high temperature optical system, special material as listed above is required for custom gobos. Due to varying manufacturing processes and tolerances, it is highly recommended to provide a gobo sample and holder from the fixture to the custom gobo vendor for accurate sizing. Extended testing of custom gobo designs is highly recommended prior to use. Contact **ELATION SERVICE** for further information.

**ELATION SERVICE USA - Monday - Friday 8:00am to 4:30pm PST**

323-582-3322 | Fax 323-832-9142 | [support@elationlighting.com](mailto:support@elationlighting.com)

**ELATION SERVICE EUROPE - Monday - Friday 08:30 to 17:00 CET**

+31 45 546 85 63 | Fax +31 45 546 85 96 | [support@elationlighting.eu](mailto:support@elationlighting.eu)

# GOBO REPLACEMENT



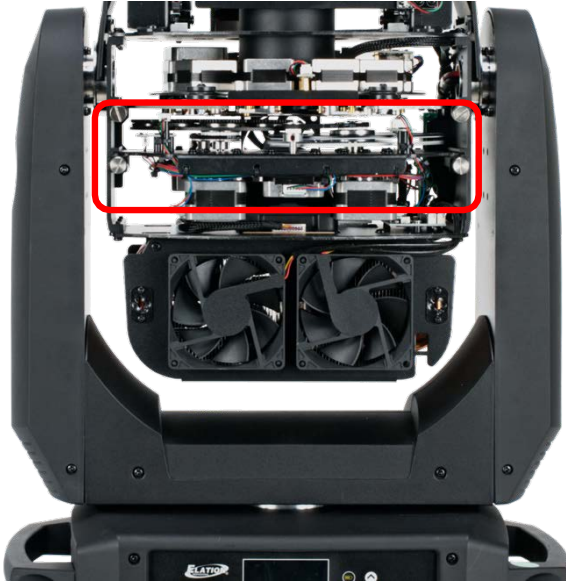
1. Before removing covers, place fixture on a stable flat surface in an **INDOOR DUST FREE** location. Ensure moving head is locked into a neutral upright position with both PAN and TILT locks engaged.

2. Unfasten and remove the front and back panels; each are secured with (4x) ¼-turn Phillips-head screws. (These screws are integrally installed in both panels and cannot be removed.) With the panel screws unfastened, unclip their safety cables to remove them completely from the fixture.

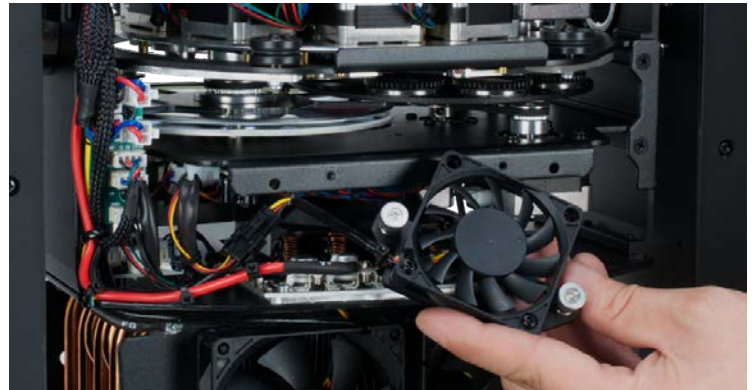
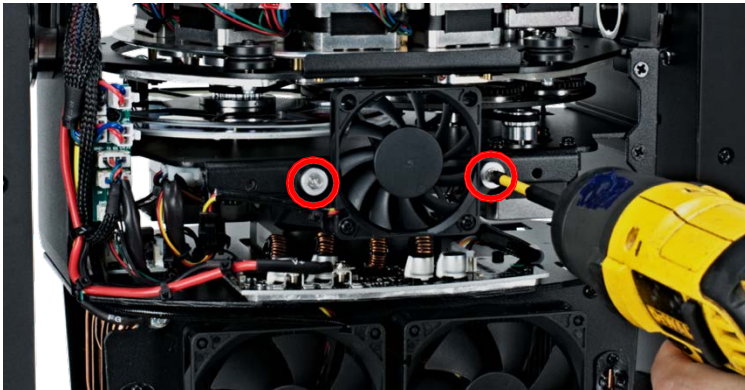




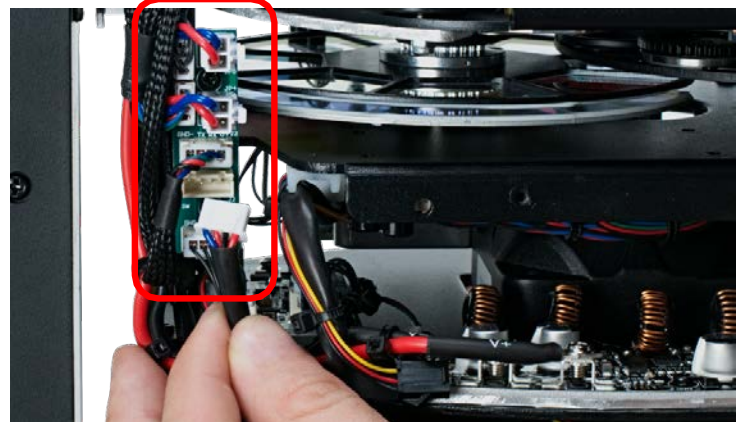
# GOBO REPLACEMENT



3. The GOBO Wheel module is secured to the fixture frame rail with (2x) slotted thumb screws. Before you can remove it, the fan needs to be removed, which is held in place with (2x) integrated Phillips screws.



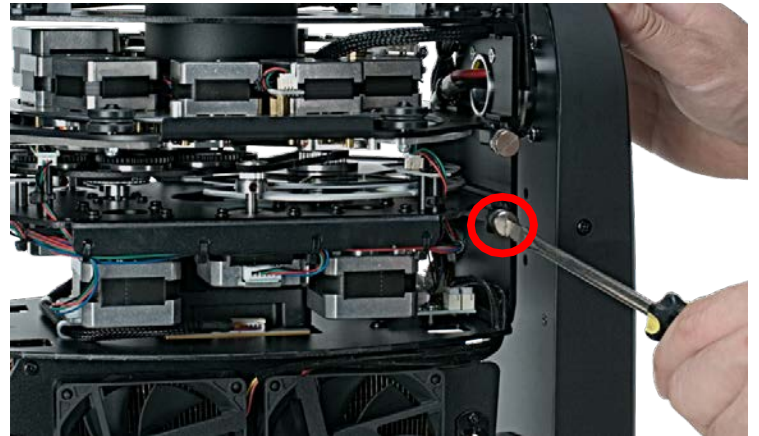
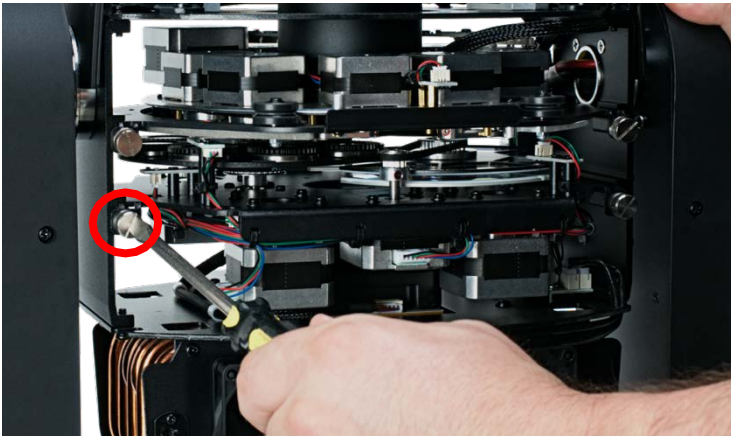
4. Loosen the (2x) Phillips-head screws securing the fan.



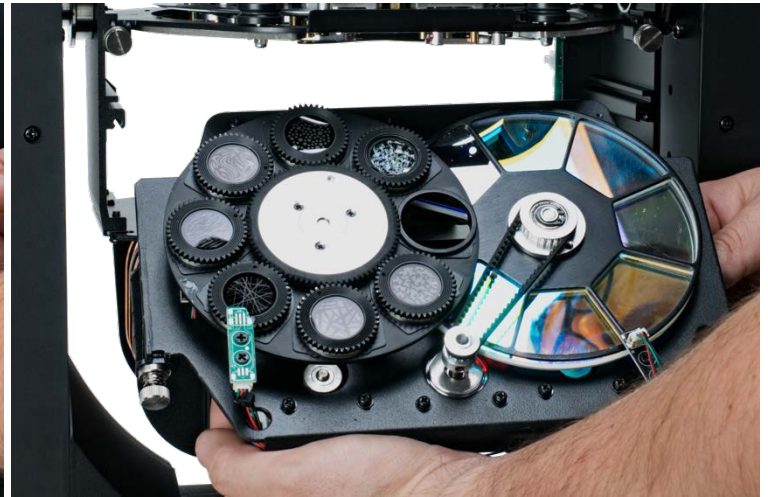
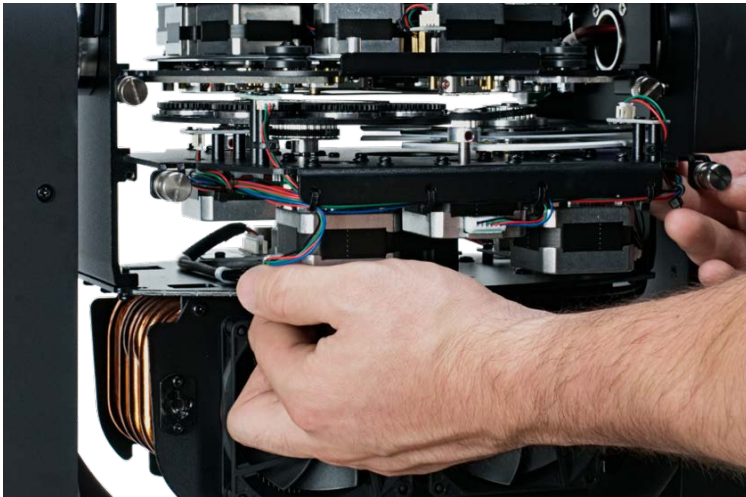
5. Unplug the fan connector and set fan aside. Locate the 4-pin GOBO Wheel module connector and carefully unplug it from its socket. **DO NOT USE FORCE TO REMOVE CONNECTORS!**



# GOBO REPLACEMENT



6. To remove the module, loosen the (2x) slotted screws holding the brackets.



7. Carefully grip the GOBO Wheel module and slid it out and away to clear the mounting rails.



8. Carefully place the module on a stable flat surface in an **INDOOR DUST FREE** location.

# GOBO REPLACEMENT



**7. REPLACING A ROTATING GOBO** - Locate the specific Rotating GOBO to replace. Carefully gripping the GOBO using your index finger, gently lift it slightly, and then with a pair of needle-nose pliers, pull on the tab to pull it out and away until it fully clears the GOBO Wheel.

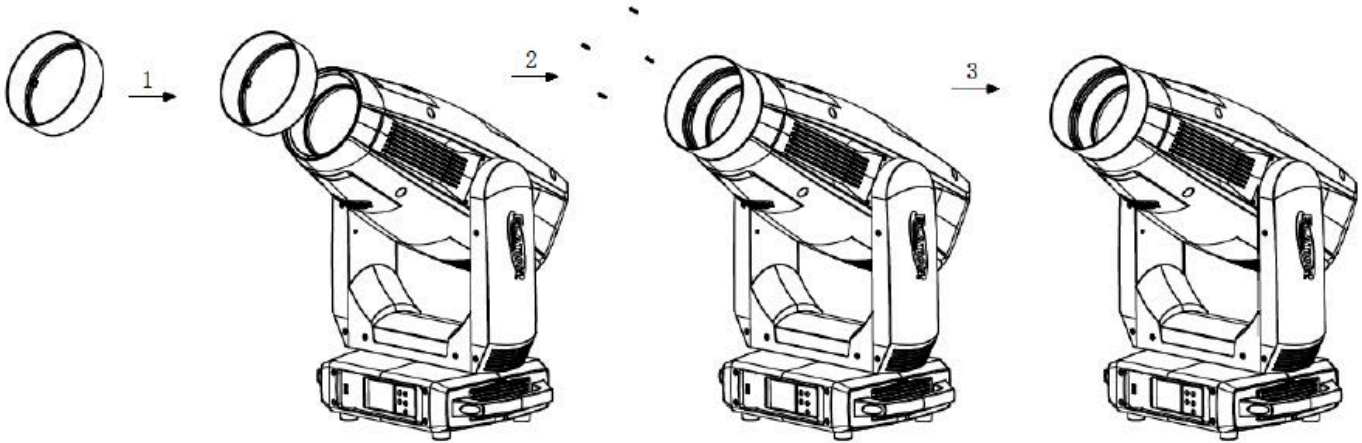
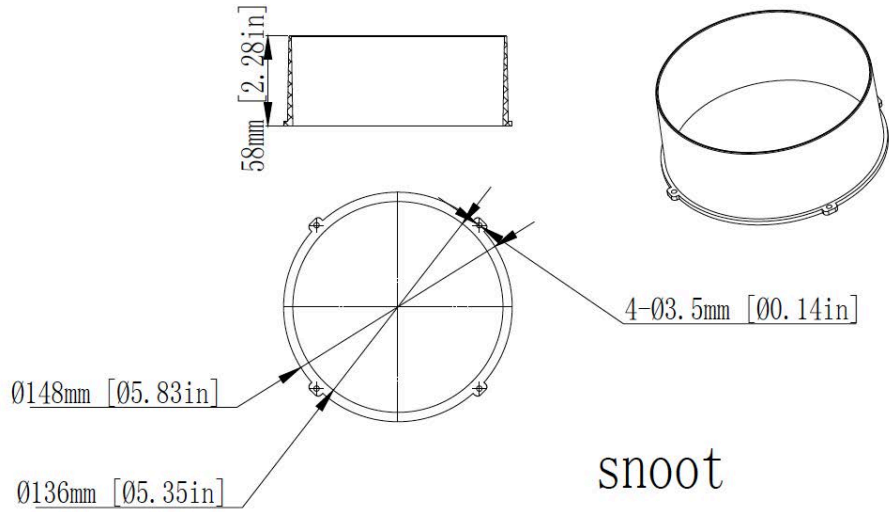


**8.** Locate the tab of the spring, and with a precision pick (or similar tool), carefully press the retaining spring inward to relieve the tension. Remove the retaining spring and carefully separate the GOBO from the GOBO Holder. Install the replacement Rotating GOBO following the steps above in reverse order



**CAUTION: TAKE CARE NOT TO SCRATCH GOBO OR GOBO HOLDER**

# SNOOT INSTALLATION



1. Place fixture on the stable flat surface and let cool for 15mins.
2. Align snoot onto front lens so screw holes on snoot match screw holes on lens.
3. Carefully using a hand screwdriver, secure included 4 screws.
4. Check Snoot to confirm it is seated properly and all 4 screws are secure.



**DO NOT OVER TIGHTEN SCREWS! DO NOT USE A POWER SCREWDRIVER!**



# INSTALLATION GUIDELINES



## **FLAMMABLE MATERIAL WARNING**

Keep fixture minimum 5.0 feet (1.5m) away from flammable materials and/or pyrotechnics.



## **ELECTRICAL CONNECTIONS**

A qualified electrician should be used for all electrical connections and/or installations.



**USE CAUTION WHEN POWER LINKING OTHER MODEL FIXTURES AS THE POWER CONSUMPTION OF OTHER MODEL FIXTURES MAY EXCEED THE MAX POWER OUTPUT ON THIS FIXTURE. CHECK SILK SCREEN FOR MAX AMPS.**



**MINIMUM DISTANCE TO OBJECTS/SURFACES  
MUST BE 1 FOOT (0.3 METERS)**



**MINIMUM DISTANCE OF INFLAMMABLE MATERIALS  
FROM THE SURFACE 1.6 FEET (0.5 METER)**



**MAXIMUM AMBIENT TEMPERATURE 113° F (45°C)**



**DO NOT INSTALL THE FIXTURE IF YOU ARE NOT QUALIFIED TO DO SO!**

Fixture **MUST** be installed following all local, national, and country commercial electrical and construction codes and regulations.

Before rigging/mounting a single fixture or multiple fixtures to any metal truss/structure or placing the fixture(s) on any surface, a professional equipment installer **MUST** be consulted to determine if the metal truss/structure or surface is properly certified to safely hold the combined weight of the fixture(s), clamps, cables, and accessories.

Overhead rigging requires extensive experience, including amongst others calculating working load limits, installation material being used, and periodic safety inspection of all installation material and the fixture. If you lack these qualifications, do not attempt the installation yourself. Improper installation can result in bodily injury.

Fixture(s) should be installed in areas outside walking paths, seating areas, or away from areas where unauthorized personnel might reach the fixture by hand.

**NEVER** stand directly below the fixture(s) when rigging, removing or servicing.

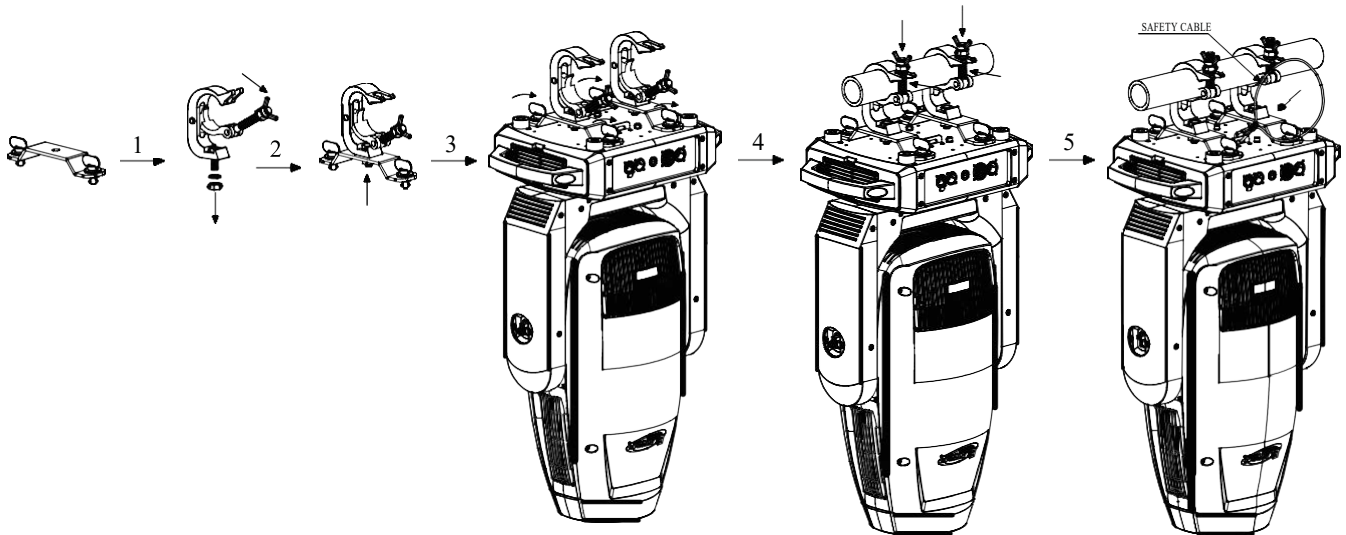
Overhead fixture installation must always be secured with a secondary safety attachment, such as an appropriately rated safety cable.

Allow approximately 15 minutes for the fixture to cool down before serving.

# INSTALLATION GUIDELINES

## OMEGA BRACKETS INSTALLATION

Insert the Omega Brackets into the matching holes on the bottom of the fixture. Secure the Omega Brackets to the fixture by turning each quick-lock fastener ¼ turn clockwise; making sure the fastener is completely locked. Omega Brackets can be installed into the fixture base as illustrated below.



## CLAMP INSTALLATION

When mounting fixture to truss, be sure to secure an appropriately rated professional grade rigging clamp to the included **Omega Brackets** using an M10 screw fitted through the center hole of the **Omega Brackets**. The fixture provides a built-in rigging points for a **SAFETY CABLE**. Be sure to only use one of the designated rigging points for the safety cable and never secure a safety cable to a carrying handle.

## RIGGING

Overhead rigging requires extensive experience, including amongst others calculating working load limits, installation material being used, and periodic safety inspection of all installation material and the fixture. If you lack these qualifications, do not attempt the installation yourself. Improper installation can result in bodily injury.



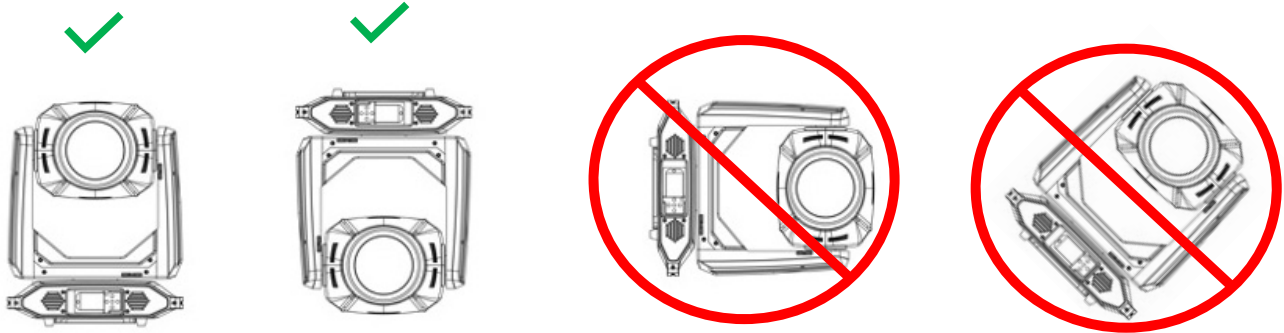
**ALWAYS ATTACH AN APPROPRIATELY RATED SAFETY CABLE (NOT INCLUDED) THAT MEETS ALL LOCAL, NATIONAL, AND COUNTRY CODES AND REGULATIONS WHENEVER INSTALLING FIXTURE IN A SUSPENDED ENVIRONMENT!**

# INSTALLATION GUIDELINES

## FIXTURE MOUNTING POSITION

The fixture may be mounted in any position in which the base of the fixture is oriented horizontally. Acceptable positions include standing the fixture upright or hanging the fixture upside-down.

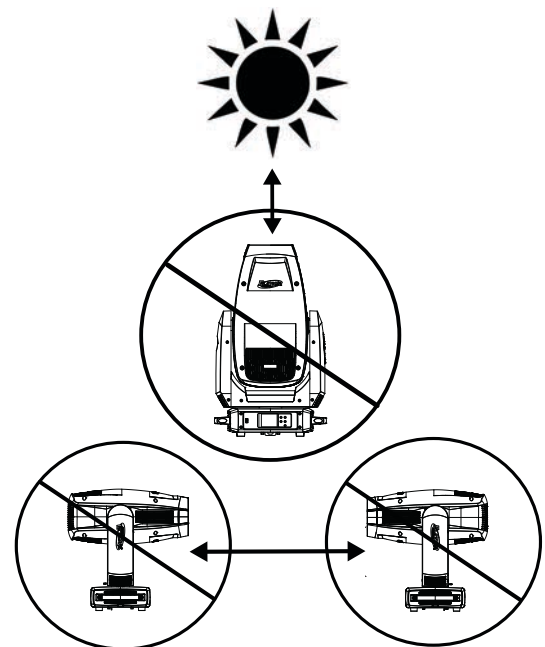
Do NOT install the fixture in a sideways position, or in any position in which the base of the fixture is oriented vertically or at an angle.



## POTENTIAL INTERNAL FIXTURE DAMAGE FROM EXTERNAL SOURCES OF LIGHT BEAMS

External sources of light beams from direct sunlight, lighting moving head fixtures, and lasers, which are focused directly towards the exterior housing and/or penetrate the front lens opening of ELATION lighting fixtures, can cause severe internal damage including burning to optics, dichroic color filters, glass and metal gobos, prisms, animation wheels, frost filters, iris, shutters, motors, belts, wiring, discharge lamps, and LEDs.

This issue is not specific only to ELATION lighting fixtures, it is a common issue with lighting fixtures from all manufacturers. Although there is no true way to fully prevent this issue from happening, the guidelines below can prevent any potential damage from occurring if followed. Contact ELATION Service for more details.

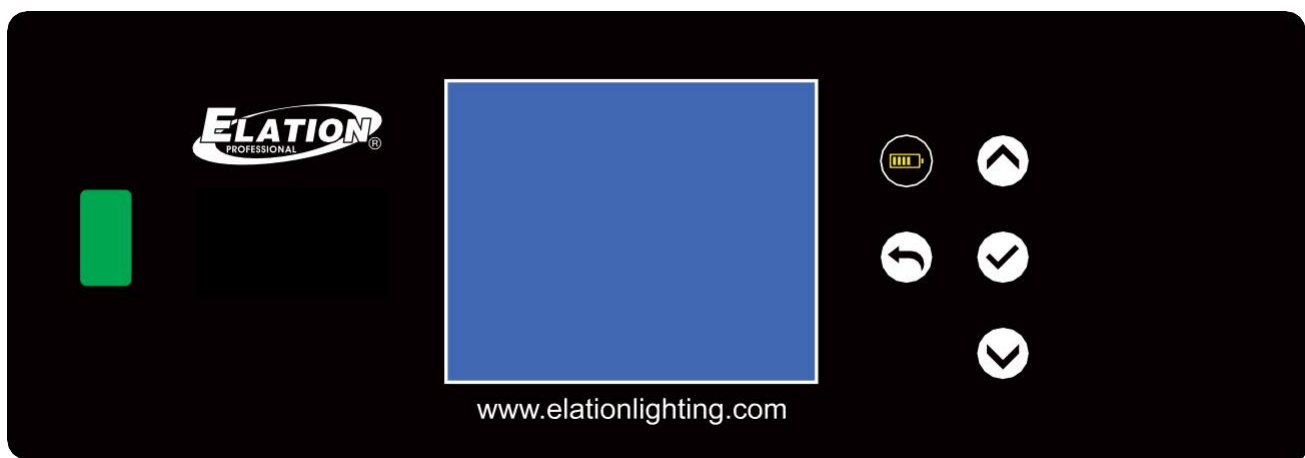


**DO NOT EXPOSE THE FIXTURE AND/OR FRONT LENS OPENING TO LIGHT BEAMS FROM DIRECT SUNLIGHT, OTHER LIGHTING MOVING HEAD FIXTURES, AND LASERS WHILE UNPACKING, INSTALLATION, USE, AND EXTENDED IDLE TIMES OUTDOORS. DO NOT FOCUS A LIGHT BEAM FROM ONE LIGHTING FIXTURE DIRECTLY TOWARDS ANOTHER.**

## SYSTEM MENU

The fixture includes an easy to navigate system menu. The LCD touch panel (see image below) located on the front of the fixture, provides access to the main system menu and is where all necessary system adjustments are made to the fixture. During normal operation, pressing the **ENTER (Check Mark)** button once will access the fixture's main menu. Once in the main menu you can navigate through the different functions and access the sub- menus with the **UP** and **DOWN** buttons. Once you reach a field that requires adjusting, press the **ENTER** button to activate that field and use the **UP** and **DOWN** buttons to adjust the field. Pressing the **ENTER** button once more will confirm your setting. You may exit the main menu at any time without making any adjustments by pressing the **ESC (Back Arrow)** button.

To access the LCD Menu Control Display via the internal battery, press and hold the **BATTERY ICON** button for 3 seconds. The LCD Menu Control Display will shut **OFF** automatically about 1 minute from the last button press.



## ELATION FUZE PROFILE CW™ - SYSTEM MENU

Supports Software Versions: ≥ 1.07

<b>DMX Settings</b>	DMX Address	<b>A001 ~ AXXX</b>			
	DMX Channel Mode	<b>Standard</b> , Extend			
	No DMX Status	<b>Hold Last</b> , Blackout, Internal Programs			
<b>Personality</b>	Primary	<b>ON / OFF</b>			
	Secondary	ON / <b>OFF</b>			
	Status Settings	Pan Invert Tilt Invert Pan/Tilt Feedback Pan Degree Pan/TiltSpeed Hibernation	ON / <b>OFF</b> ON / <b>OFF</b> <b>ON</b> / OFF 630/ <b>540</b> Speed <b>1</b> ~ 4 OFF/ 01M~99M, <b>15M</b>		
	Fan Settings	Studio, Mute, Low, High, <b>Auto</b>			
	Dim Modes	Standard, Stage, TV, Architectural, Theatre, Stage 2, <b>Dim Speed</b>	0s, 0.1s, 0.2s, 0.3s, 0.4s, <b>0.5s</b> , 0.6s, 0.7s, 0.8s, 0.9s, 1.0s, 1.5s, 2.0s, 3.0s, 4.0s, 5.0s, 6.0s, 7.0s, 8.0s, 9.0s, 10s		
	Dim Curves	<b>Linear</b> , Square, Square Inverse, S-Curve			
	LED Refresh Rate	<b>1200Hz</b> , 900-1500Hz, 2500Hz, 4000Hz, 5000Hz, 6000Hz, 10KHz, 15KHz, 20KHz, 25KHz			
	Reset Motors	Reset All Motors	YES / <b>NO</b>		
		Pan/Tilt Reset	YES / <b>NO</b>		
		Color Reset	YES / <b>NO</b>		
		Gobo Reset	YES / <b>NO</b>		
		Focus and Zoom reset	YES / <b>NO</b>		
		Other motor reset	YES / <b>NO</b>		
	Display	Screen Saver Delay	<b>001</b> -10M/ OFF		
		Touch Screen Lock	<b>OFF</b> /ON		
Rotate Display 180°		YES / <b>NO</b>			
Temp Unit	<b>C / F</b>				
Service	P a s s w o r d	Calibration	Pan 000-255 Tilt 000-255 ColorWheel1 000-255 ... FramShutMoRot 000-255		
		USB Software Update	YES / <b>NO</b>		
	<b>050</b>	Factory Restore	YES / <b>NO</b>		

<b>Manual Control</b>	Pan	000-255			
	Pan Fine	000-255			
	Tilt	000-255			
	Tilt Fine	000-255			
	ColorWheel1	000-255			
...					
Control	000-255				
<b>Internal Programs</b>	Program 0	Speed	000-255		
		Fade	000-255		
	Program 1	Speed	000-255		
		Fade	000-255		
	Program 2	Speed	000-255		
		Fade	000-255		
	Program 3	Speed	000-255		
		Fade	000-255		
	...	...	...		
	Program 16	Speed	000-255		
Fade		000-255			
<b>Information</b>	Fixture Life Time	Power On Time	xxxxxx Hours		
	Fixture Last Run Time	Power On ResetableTime	xxxxxx Hours		
		Power On Time Reset			
	Fixture Temperatures	LED's	Current	xxx F / xxx C	
			Max Resettable	xxx F / xxx C	
			Max Not Resettable	xxx F / xxx C	
		Reset LED Temp			
	Base Temp	Current	xxx F / xxx C		
		1_Fan <b>Standby</b>			
		2_Fan <b>Standby</b>			
	Fan Info.	LED_fan RPM	3_Fan <b>Standby</b>		
			4_Fan <b>Standby</b>		
			Base_fan RPM	Base_Fan <b>Standby</b>	
	DMX Values	Pan, Tilt, ..., Control	000-255		
	Product ID's	RDM UID	00000		
	Error Logs	Fixture Errors	Error1, Error2, ...		
		Reset Error Log	Passcode	YES/NO	
Software Version	1U:V1.07 2U:V1.07 3U:V1.07 4U:V1.07 5U:V1.07 6U:V1.07				

# DMX CHANNEL FUNCTIONS AND VALUES

FUZE PROFILE CW™ - DMX Channel Values / Functions (40 DMX Channels)					
Supports Software Versions: ≥ 1.07					
Features subject to change without notice.					
MODE / CHANNEL		VALUE	FUNCTION	DEFAULT	SNAP
Standard	Extended				
1	1		<b>PAN Movement 8bit</b>	127	
		0-255	Pan Movement		
2	2		<b>Pan Fine 16bit</b>	127	
		0-255	Fine Control of Pan Movement		
3	3		<b>TILT Movement 8bit</b>	127	
		0-255	Tilt Movement		
4	4		<b>Tilt Fine 16bit</b>	127	
		0-255	Fine Control of Tilt Movement		
5	5		<b>Color Wheel 1</b>	0	X
		0-15	Open		
		16-31	Red		
		32-47	Medium Green		
		48-63	Light Blue		
		64-79	Lavender		
		80-95	Amber		
		96-111	Light Pink		
		112-127	Warm Yellow		
		128-189	Color Wheel Rotation CW from Fast to Slow		
		190-193	No Rotation		
		194-255	Color Wheel Rotation CCW from Slow to Fast		
6	6		<b>Color Wheel 2</b>	0	X
		0-15	Open		
		16-31	2700K		
		32-47	3200K		
		48-63	4500K		
		64-79	5500K		
		80-95	6800K		
		96-111	8000K		
		112-127	UV		
		128-189	Color Wheel Rotation CW from Fast to Slow		
		190-193	No Rotation		
		194-255	Color Wheel Rotation CCW from Slow to Fast		

MODE / CHANNEL		VALUE	FUNCTION	DEFAULT	SNAP
Standard	Extended				
7	7		<b>Rotating Gobo Wheel</b>	0	X
		0-9	Open		
		10-19	Gobo 1		
		20-29	Gobo 2		
		30-39	Gobo 3		
		40-49	Gobo 4		
		50-59	Gobo 5		
		60-69	Gobo 6		
		70-77	Gobo 7		
		78-93	Gobo 1 Shake, Slow to Fast		
		94-109	Gobo 2 Shake, Slow to Fast		
		110-125	Gobo 3 Shake, Slow to Fast		
		126-141	Gobo 4 Shake, Slow to Fast		
		142-157	Gobo 5 Shake, Slow to Fast		
		158-173	Gobo 6 Shake, Slow to Fast		
		174-189	Gobo 7 Shake, Slow to Fast		
190-221	Gobo Wheel Scroll CW Fast to Slow				
222-223	Stop				
224-255	Gobo Wheel Scroll CCW Slow to Fast				
8	8		<b>Rotating Gobo Index, Rotation</b>	63	
		0-127	Gobo Indexing		
		128-189	Gobo Scroll CW Fast to Slow		
		190-193	No Rotation		
194-255	Gobo Scroll CCW Slow to Fast				
9	9		<b>Rotating Gobo Fine Indexing</b>	0	
		0-255	Fine Indexing		
10	10		<b>Focus</b>	127	
		0-255	Continuous Adjustment from Near to Far		
	11		<b>Focus Fine</b>	0	
		0-255	Continuous Adjustment Fine		
11	12		<b>Zoom</b>	127	
		0-255	Zoom Adjustment from Small to Big		
	13		<b>Zoom Fine</b>	0	
		0-255	Zoom Adjustment Fine		



MODE / CHANNEL		VALUE	FUNCTION	DEFAULT	SNAP		
Standard	Extended						
12	14		<b>Shutter, Strobe</b>	50	X		
		0-31	Shutter Closed				
		32-63	No Function (Shutter Open)				
		64-95	Strobe Effect Slow to Fast				
		96-127	No Function (Shutter Open)				
		128-159	Pulse-Effect in Sequences				
		160-191	No Function (Shutter Open)				
		192-223	Random Strobe Effect Slow to Fast				
		224-255	No Function (Shutter Open)				
13	15		<b>Dimmer</b>	0			
		0-255	Intensity 0 → 100%				
14	16		<b>Dimmer Fine</b>	0			
		0-255	Dimmer Fine				
	17		<b>Dim Modes</b>	0	X		
		0-20	Standard				
		21-40	Stage				
		41-60	TV				
		61-80	Architectural				
		81-100	Theatre				
		101- 120	Stage 2				
							<b>Dimmer Delay Time</b>
		121	0s				
		122	0.1s				
		123	0.2s				
		124	0.3s				
		125	0.4s				
		126	0.5s				
		127	0.6s				
		128	0.7s				
		129	0.8s				
		130	0.9s				
		131	1.0s				
		132	1.5s				
		133	2.0s				
		134	3.0s				
		135	4.0s				
		136	5.0s				
		137	6.0s				
		138	7.0s				
139	8.0s						
140	9.0s						
141	10s						
142 - 255	Idle						

MODE / CHANNEL		VALUE	FUNCTION	DEFAULT	SNAP
Standard	Extended				
15	18		<b>Iris</b>	0	
		0-191	Max Diameter to Min Diameter		
		192-223	Pulse Opening Fast to Slow		
		224-255	Pulse Closing Slow to Fast		
	19		<b>Iris Fine</b>	0	
		0-255	Iris Fine		
16	20		<b>Frost</b>	0	
		0-255	Open to Full Frost		
17	21		<b>Blade 1A</b>	0	
		0-255	Open to Close		
	22		<b>Blade 1A Fine</b>	0	
		0-255	Open to Close Fine		
18	23		<b>Blade 1B</b>	0	
		0-255	Open to Close		
	24		<b>Blade 1B Fine</b>	0	
		0-255	Open to Close Fine		
19	25		<b>Blade 2A</b>	0	
		0-255	Open to Close		
	26		<b>Blade 2A Fine</b>	0	
		0-255	Open to Close Fine		
20	27		<b>Blade 2B</b>	0	
		0-255	Open to Close		
	28		<b>Blade 2B Fine</b>	0	
		0-255	Open to Close Fine		
21	29		<b>Blade 3A</b>	0	
		0-255	Open to Close		
	30		<b>Blade 3A Fine</b>	0	
		0-255	Open to Close Fine		
22	31		<b>Blade 3B</b>	0	
		0-255	Open to Close		
	32		<b>Blade 3B Fine</b>	0	
		0-255	Open to Close Fine		
23	33		<b>Blade 4A</b>	0	
		0-255	Open to Close		
	34		<b>Blade 4A Fine</b>	0	
		0-255	Open to Close Fine		
24	35		<b>Blade 4B</b>	0	
		0-255	Open to Close		
	36		<b>Blade 4B Fine</b>	0	
		0-255	Open to Close Fine		

MODE / CHANNEL		VALUE	FUNCTION	DEFAULT	SNAP
Standard	Extended				
25	37		<b>Framing Rotation</b>	127	
		0-126	Min (-45 degrees)		
		127-128	Parallel (0 degrees)		
		129-255	Max (+45 degrees)		
	38		<b>Framing Rotation Fine</b>	0	
	39		<b>Pan / Tilt Speed</b>	0	
		0-225	Max to Min Speed		
		226-235	Blackout by Movement		
		236-245	Blackout by all Wheel Changing		
		246-255	No Function		
26	40		<b>Control</b>	0	X
		0-19	Color Change Normal		
		20-29	Color Change to any Position		
		30-39	Color & Gobo Change to any Position		
		40-44	Fan Mode Studio		
		45-49	Fan Mode Mute		
		50-59	Fan Mode Low		
		60-69	Fan Mode High		
		70-79	Fan Mode Auto		
		80-84	All Motor Reset		
		85-87	Pan / Tilt Reset		
		88-90	Color Reset		
		91-93	Gobo Reset		
		94-96	Focus and Zoom Reset		
		97-99	Other motor Reset		
		100-168	<b>Refresh Rate (Hz)</b>		
		100	900		
		101	910		
		102	920		
		103	930		
		104	940		
		105	950		
		106	960		
		107	970		
		108	980		
		109	990		
110	1000				
111	1010				
112	1020				
113	1030				
114	1040				
115	1050				
116	1060				

MODE / CHANNEL		VALUE	FUNCTION	DEFAULT	SNAP
Standard	Extended				
26	40	117	1070	0	X
		118	1080		
		119	1090		
		120	1100		
		121	1110		
		122	1120		
		123	1130		
		124	1140		
		125	1150		
		126	1160		
		127	1170		
		128	1180		
		129	1190		
		130	1200		
		131	1210		
		132	1220		
		133	1230		
		134	1240		
		135	1250		
		136	1260		
		137	1270		
		138	1280		
		139	1290		
		140	1300		
		141	1310		
		142	1320		
		143	1330		
		144	1340		
		145	1350		
		146	1360		
		147	1370		
		148	1380		
		149	1390		
		150	1400		
		151	1410		
		152	1420		
		153	1430		
		154	1440		
		155	1450		
		156	1460		
		157	1470		
		158	1480		

MODE / CHANNEL		VALUE	FUNCTION	DEFAULT	SNAP
Standard	Extended				
26	40	159	1490	0	X
		160	1500		
		161	2500		
		162	4000		
		163	5000		
		164	6000		
		165	10,000		
		166	15,000		
		167	20,000		
		168	25,000		
		169-200	Idle		
		201-210	Dimmer Curve Linear (default)		
		211-220	Dimmer Curve Square		
		221-230	Dimmer Curve Inverse Square		
		231-240	Dimmer Curve S-Curve		
		241	Internal Program 1 (Scene 1 - 8)		
		242	Internal Program 2 (Scene 9 - 16)		
		243	Internal Program 3 (Scene 17 - 24)		
		244	Internal Program 4 (Scene 25 - 32)		
		245	Internal Program 5 (Scene 33 - 40)		
246	Internal Program 6 (Scene 41 - 48)				
247	Internal Program 7 (Scene 49 - 56)				
248-255	Idle				

# ERROR CODES

Error Codes subject to change without notice.	
ERROR CODES	DESCRIPTION
<b>PAN Er</b>	Movement is not located in the default position after the reset. These messages will appear after a fixture reset if the magnetic-indexing circuit malfunctions (sensor failed, or magnet is missing) or there is a motor failure (defective motor or a defective motor IC drive on the main PCB). This error may also be displayed if the head/yoke was blocked during a reset function.
<b>TILT Er</b>	
<b>RotGobo</b>	Movement is not located in the default position after the reset. These messages will appear after a fixture reset if the magnetic-indexing circuit malfunctions (sensor failed, or magnet is missing) or there is a motor failure (defective motor or a defective motor IC drive on the main PCB).
<b>GoboIndex</b>	
<b>Iris</b>	
<b>Blade</b>	
<b>Zoom</b>	
<b>Focus</b>	
<b>Frost</b>	
<b>HeadTemp</b>	These messages will appear if there is a temperature and/or fan malfunction.
<b>CoolFan1</b>	
<b>CoolFan2</b>	
<b>CoolFan3</b>	
<b>CoolFan4</b>	
<b>BaseTemp</b>	
<b>BaseFan</b>	

# SPECIFICATIONS

## SOURCE

380W 6,000K White LED Engine  
30,000 Hour Average LED Life\*

\*Test lab conditions. May vary depending on several factors including but not limited to: Environmental Conditions, Power/Voltage, Usage Patterns (On-Off Cycling), Control, and Dimming.

## PHOTOMETRIC DATA

11,200 Total Lumen Output  
CRI 91  
Zoom Range 9° - 43°  
Beam Angle 9.3° - 43.1°  
Field Angle 10.3° - 46.8°

## EFFECTS

Motorized Zoom  
4 Rotating Full Blackout Framing Blades, +/- 45 Index  
Variable Frost Filter  
Motorized Iris  
Variable 16-bit Dimming Curve Modes  
High Speed Electronic Shutter and Strobe  
Adjustable LED Refresh Rate Frequency

## COLOR

2 Color Wheels  
7x Solid Colors  
7x Color Correction and UV

## GOBOS

1 Gobo Wheel  
7 Rotating / Indexing Interchangeable Glass Gobos

## CONTROL / CONNECTIONS

2 DMX Channel Modes (26 / 40)  
16-bit Pan, Tilt, and Dimming Control  
Motorized Focus  
DMX, RDM Protocol Support  
4 Button Touch Control Panel  
Full Color 180° Reversible LCD Menu Display  
16 Bit Resolution Adjustable Movement  
Hibernation Mode (Power Save)  
5pin DMX In/Out  
IP65 Locking Power Cable In/Out  
With Wired Digital Communication Network

## SIZE / WEIGHT

Length: 15.9" (408mm)  
Width: 9.9" (252mm)  
Vertical Height: 27.4" (698mm)  
Weight: 51.4 lbs. (23.3kg)

## ELECTRICAL / THERMAL

AC 100-240V - 50/60Hz  
590W Max Power Consumption  
14°F to 113°F (-10°C to 45°C)  
BTU/hr (+/- 10%) 2011.9

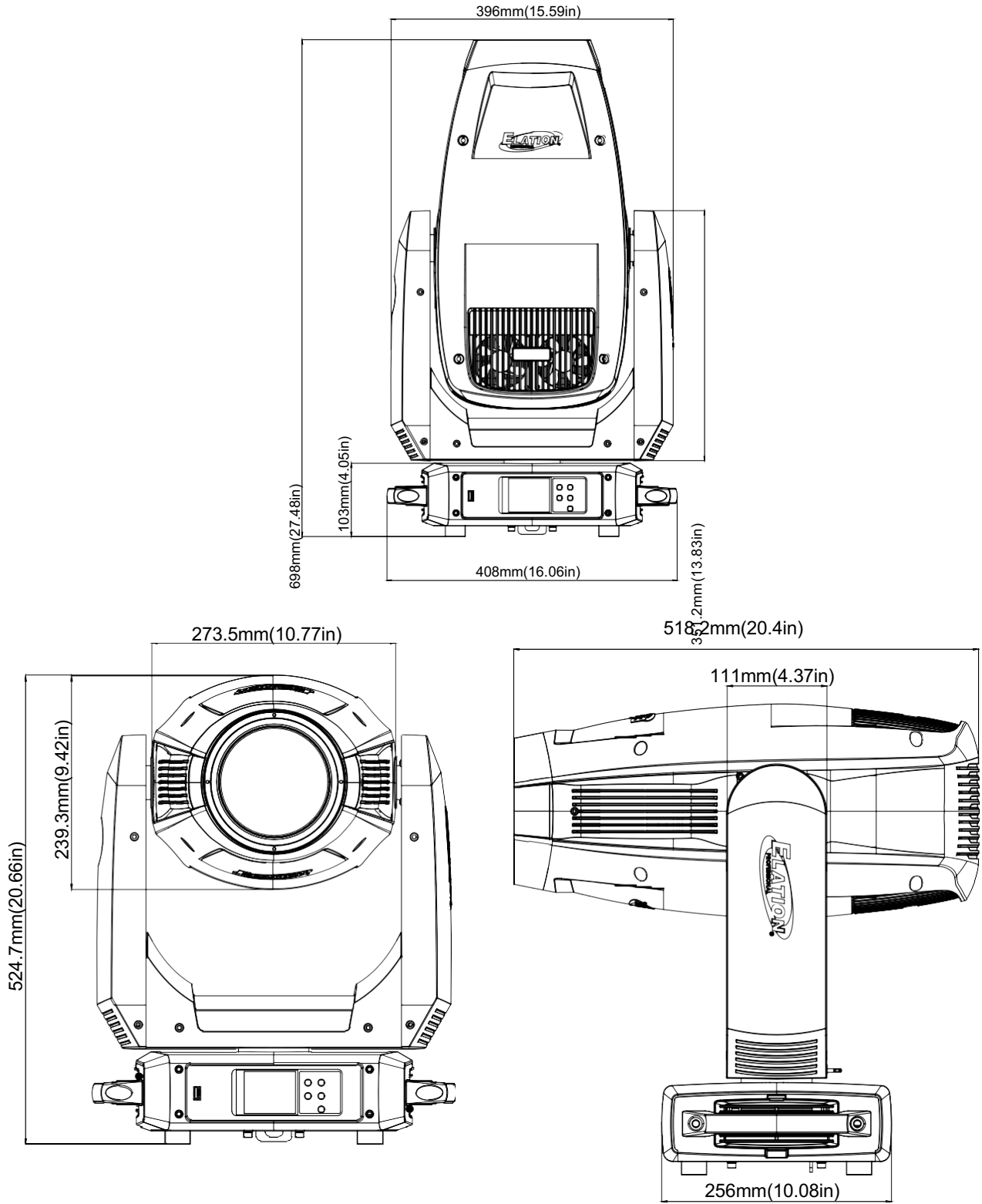
## APPROVALS / RATINGS

CE | cETLus | IP20



Specifications and improvements in the design of this unit and this manual are subject to change without notice.

# DIMENSIONAL DRAWINGS

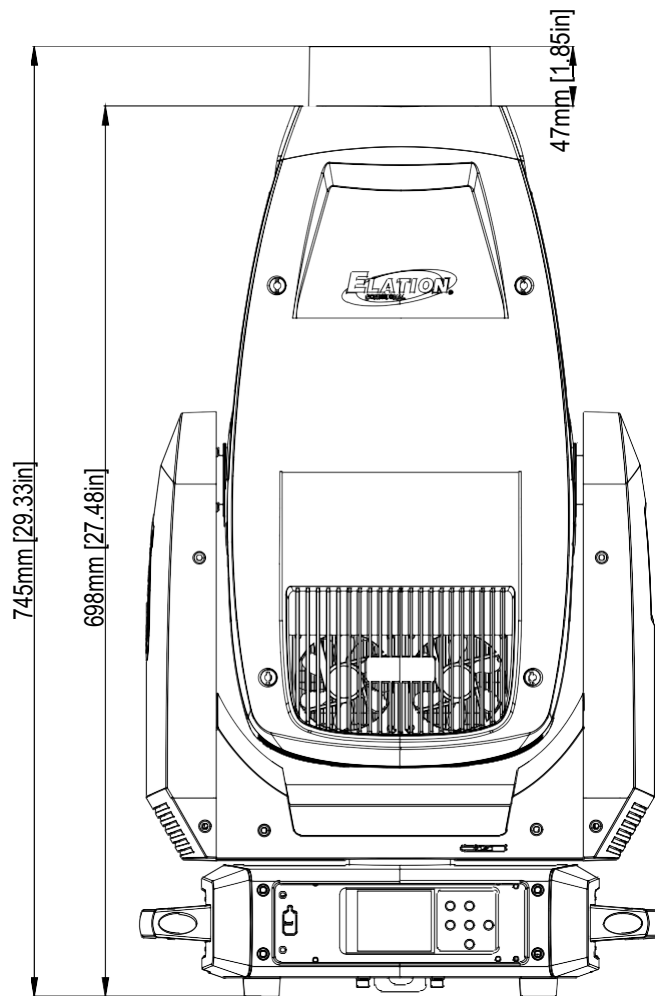


Specifications and improvements in the design of this unit and this manual are subject to change without notice.



# DIMENSIONAL DRAWINGS

## With Snoot Attached



Specifications and improvements in the design of this unit and this manual are subject to change without notice.

## OPTIONAL ACCESSORIES

ORDER CODE	ITEM
TRIGGER CLAMP	Heavy Duty Wrap Around Hook Style Clamp
SIP126	5 ft. (1.5m) IP65 Twist Lock Power Link Cable
AC5PDMX5PRO	5 ft. (1.5m) 5pin PRO DMX Cable
	Additional Cable Lengths Available

### FCC STATEMENT

This device complies with Part 15 of the FCC Rules. Operation is subject to the following two conditions: (1) this device may not cause harmful interference, and (2) this device must accept any interference received, including interference that may cause undesired operation.

### FCC RADIO FREQUENCY INTERFERENCE WARNINGS & INSTRUCTIONS

This product has been tested and found to comply with the limits as per Part 15 of the FCC Rules. These limits are designed to provide reasonable protection against harmful interference in a residential installation. This device uses and can radiate radio frequency energy and, if not installed and used in accordance with the included instructions, may cause harmful interference to radio communications. However, there is no guarantee that interference will not occur in a particular installation. If this device does cause harmful interference to radio or television reception, which can be determined by turning the device off and on, the user is encouraged to try to correct the interference by one or more of the following methods:

- Reorient or relocate the device.
- Increase the separation between the device and the receiver.
- Connect the device to an electrical outlet on a circuit different from which the radio receiver is connected.
- Consult the dealer or an experienced radio/TV technician for help.

### Europe Energy Saving Notice

Energy Saving Matters (EuP 2009/125/EC)

Saving electric energy is a key to help protecting the environment. Please turn off all electrical products when they are not in use. To avoid power consumption in idle mode, disconnect all electrical equipment from power when not in use. Thank you

**SKU#:** FUZ131  
**EU#:** 1237000210  
**UPC#:** 810008260234